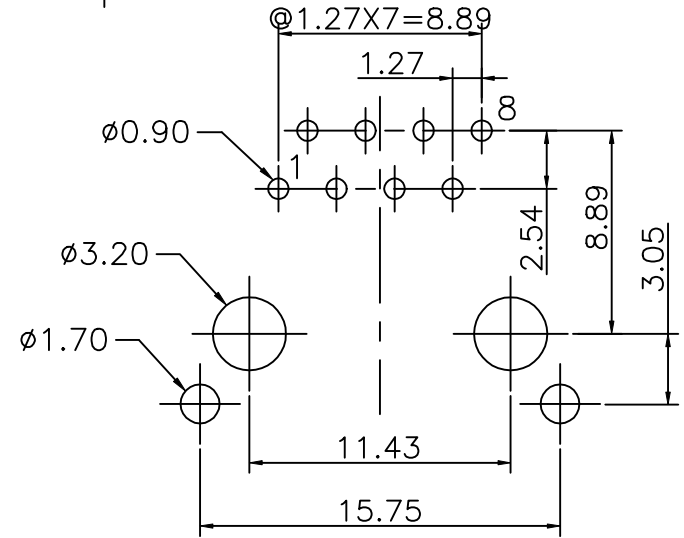
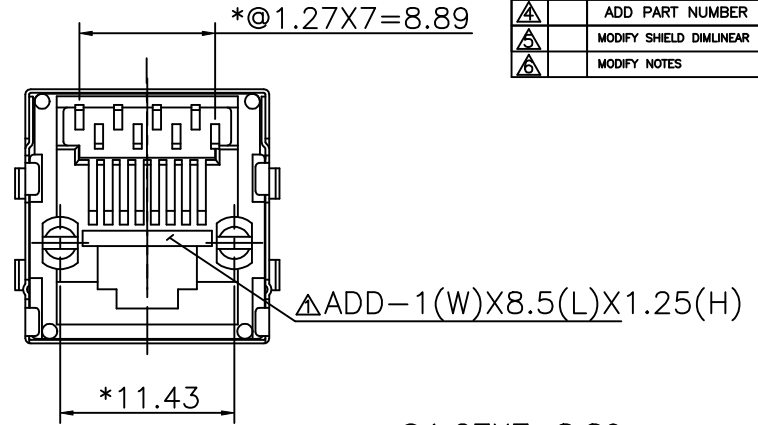
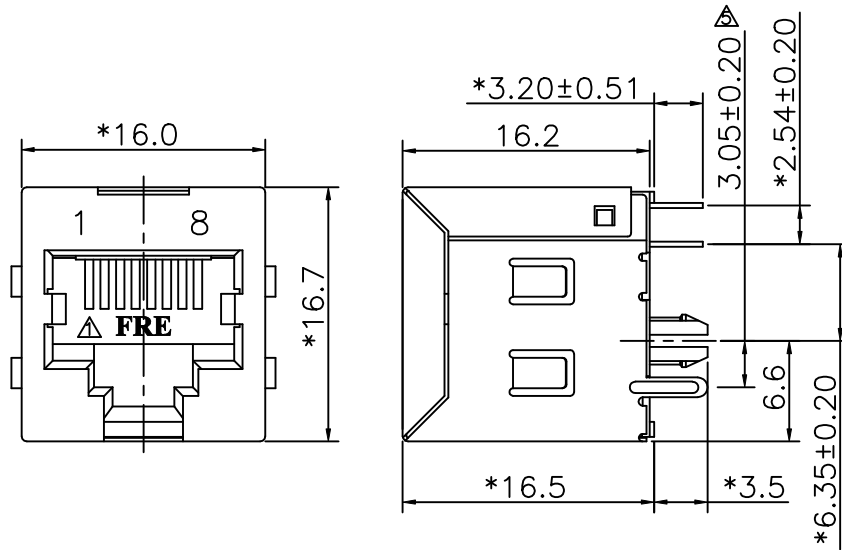


REVISION RECORD				
REV	ECO	DESCRIPTION	DRFT	CHKD
△		Modify Drawing	LFE 4/15/02	
△		ADD PART NUMBER	SAMMY 08/15/02	
△		Modify Drawing	CZH 7/23/03	
△		ADD PART NUMBER	SAMMY 05/18/04	
△		MODIFY SHIELD DIMLINEAR	LUXIN 08/17/04	
△		MODIFY NOTES	Among 10/22/04	



PC Board Layout Component Side Shown

NOTES:

ELECTRICAL:

1. VOLTAGE RATING : 125 VAC RMS.
2. CURRENT RATING : 1.5 AMP.
3. CONTACT RESISTANCE : 30 MILLIOHMS MAX.
4. INSULATION RESISTANCE: 1000 MEGOHMS MIN @ 500 VDC.
5. DIELECTRIC STRENGTH : 1000 VAC RMS 60Hz, 1MIN.

MECHANICAL:

1. HOUSING MATERIAL : GLASS FILLED POLYESTER UL94V-0.
2. CONTACT MATERIAL : PHOSPHOR BRONZE t=0.35mm.
- △ 3. PLATING : GOLD PLATING OVER NICKEL.
4. OPERATING LIFE : 750 CYCLES MIN.
5. PCB RETENTION PRE-SOLDER : 1 LB MIN.
6. PCB RETENTION POST-SOLDER: 10 LBS MIN.

ENVIRONMENTAL:

1. STORAGE : -40°C TO +85°C.
 - △ 2. OPERATION: -40°C TO +85°C.
- MATES WITH MODULAR PLUG CONFORMING TO
FCC PART 68, SUBPART F.

CUL FILE NO. E163191
PART NUMBER: E5288-3X0X4X

△ △ SHIELD PLATING:

GOLD PLATING:
1- 3u" 2- 6u"
3- 15u" 4- 30u"
5- 50u"

- 1- TIN PLATING,W/ SIDE TABS
- 2- NICKEL PLATING,W/ SIDE TABS
- △ S- TIN PLATING,W/O SIDE TABS
- △ T- NICKEL PLATING,W/O SIDE TABS

0-A06-0100 (BK)
1-A06-0080 (BK) △

← MM (INCH) →		DFTO BASS	DATE 7/8/97	FULL RISE ELECTRONIC CO., LTD									
TOLERANCES EXCEPT AS NOTED		CHKD SAMMY	DATE 2004/11/17										
		MFO	DATE	TITLE									
		APPLV LUSHENG	DATE 2004/11/17										
<table border="1"> <tr> <td>MM</td> <td>±</td> </tr> <tr> <td>.0 ±0.20</td> <td>±</td> </tr> <tr> <td>.00 ±0.15</td> <td>±</td> </tr> <tr> <td>.000 ±0.075</td> <td>±</td> </tr> </table>		MM	±	.0 ±0.20	±	.00 ±0.15	±	.000 ±0.075	±	MATERIAL :		RJ45 TOP ENTRY PCB MODULAR JACK(DIP TYPE)	
MM	±												
.0 ±0.20	±												
.00 ±0.15	±												
.000 ±0.075	±												
ANGLES ±		QT'Y :											
		FINISH :		DRAWING NO. GE523014 /PART NO. SEE NOTE									
THIRD ANGLE PROJECTION		SCALE : 3:1											
		DO NOT SCALE DRAWING		SIZE REV A3 6									
				SHEET X OF Y									